

INSTALLATION INSTRUCTIONS

SoftLook

LED Semi-Recessed Luminaire

Series: SL1

**PHILIPS
ALKCO**

11500 Melrose Avenue
Franklin Park, Illinois 60131
Phone: 847-451-0700
Fax: 847-451-7512
www.alkco.com

CAUTION! – READ THIS FIRST --- IMPORTANT SAFETY INSTRUCTIONS

- * Carefully read the instructions pertaining to your fixture. IF YOU HAVE ANY QUESTIONS REGARDING THE PROPER INSTALLATION OR LOCAL CODES, CONSULT A QUALIFIED ELECTRICIAN.
- * This fixture is intended for connection to a grounded, three-wire source of supply.
- * Injury to persons and damage to the fixture and/or mounting surface may result if the fixture is pulled from the surface. To reduce the likelihood of such injury or damage, mount only on a surface that is mechanically sound.
- * To avoid shock hazard, do not work with live electrical wires.
- * Install the fixture in wet or dry applications.
- * Install and wire the fixture in locations in accordance with all national, state and local codes.
- * This fixture cannot be used with any type of dimmer.

⚠ WARNING: THIS PRODUCT MUST BE INSTALLED IN ACCORDANCE WITH THE APPLICABLE INSTALLATION CODE BY A PERSON FAMILIAR WITH THE CONSTRUCTIONS AND OPERATION OF THE PRODUCT AND THE HAZARDS INVOLVED.

⚠ WARNING: RISK OF FIRE, MINIMUM OF 90°C SUPPLY CONDUCTOR. CONSULT A QUALIFIED ELECTRICIAN TO ENSURE CORRECT BRANCH CIRCUIT CONDUCTOR.

⚠ WARNING: TO AVOID SHOCK HAZARD, DISCONNECT THE POWER AT THE PANEL BOARD (CIRCUIT BREAKER BOX) BEFORE BEGINNING INSTALLATION.

OVERVIEW

Read through the entire Installation Instructions prior to beginning the installation.

Note: The SoftLook fixture requires a 3/8" flexible metallic conduit (FMC) for the building power. This should be pre-whipped within the wall or ceiling cavity where the fixture is to be installed.

A. CONFIRM ALL COMPONENTS RECEIVED

See Figure 1 to identify the parts listed below.

1. Back Box
2. Back Plate (with gasket installed)
3. SoftLook Housing

Miscellaneous parts in the Part Bag

4. Screws for mounting Back Box to Back Plate
5. Set Screws
6. Allen Wrench Tool
7. Mounting Template (packaged in product carton)

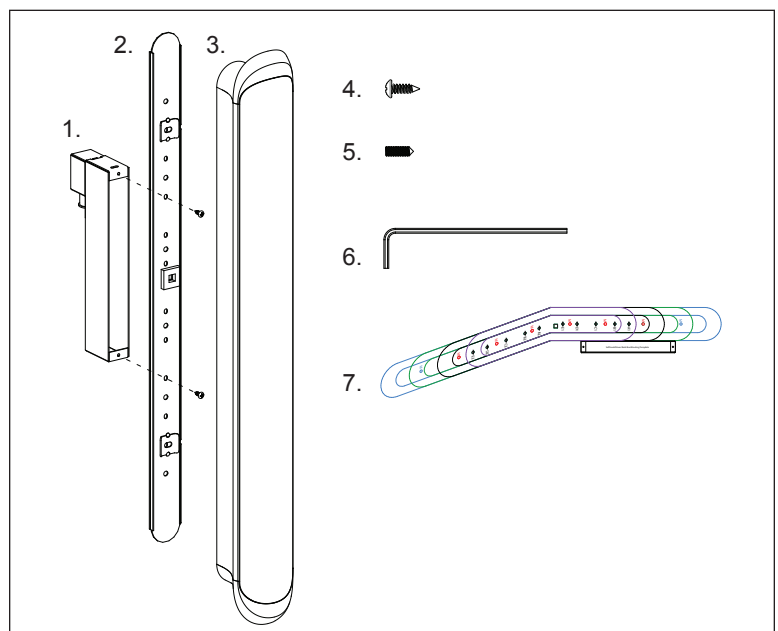


Figure 1

**PHILIPS
ALKCO**

B. PREPARE THE MOUNTING SURFACE

SoftLook can be wall-mounted (either horizontally or vertically) or ceiling-mounted.

1. Locate the Mounting Template packaged with the fixture. Unfold it and carefully tear off the Back Box Template along the perforated edge. Keep this piece of the template for use later.
2. The Mounting Template can be used for installing any of the four models of SoftLook. The template is ready, as is, for the installation of the SL136 model. For the SL130 model, carefully tear away the template on the green perforated lines at both ends of the template. This sizes the template correctly for the SL130 model. Likewise, tear away the template at the black perforated lines for the SL124 model or the purple perforated lines for the SL118 model.
3. Take a moment to review the template. The holes marked with an "M" are the mounting holes used to hold the Back Plate to the mounting surface. For the SL118 model use the purple "M" holes only. For the SL124 and SL130 models use the purple and/or red mounting holes. For the SL136 model use the purple, red and/or blue mounting holes. Be aware the mounting holes that will be covered by the Back Box will not be available and should not be used.
4. The Back Box attaches to the back surface of the Back Plate as shown in Figure 2 and recesses beyond the mounting surface when the Back Plate is fastened in place. The remaining holes marked with an "A", "B", "C", "D" or "E" on the template are used for attaching the Back Box to the Back Plate. Overlay the Back Box Template onto the Fixture Template to see how the Back Box can be positioned on the Back Plate. (The SL118 model only has one location for attaching the Back Box - location "C".) Before beginning the mounting process, be sure that there is no wall or ceiling obstruction that will interfere with the recessing of the Back Box.
5. Determine which pair of holes will be used to attach the Back Box and circle them on the Template for later reference.
6. Temporarily tape the Fixture Template to the mounting surface making sure that it is laying flat and is straight and/or level. The Fixture Template is a full-scale representation of the fixture length so that it can be used to ensure that the completed installation will clear any obstruction.
7. Using the Fixture Template as the guide, mark the locations of the Back Plate mounting holes and the pair of Back Box attachment holes that will be used as determined in Steps 4 and 5 above. When finished, remove the Fixture Template from the mounting surface.
8. Position the Back Box Template so that the holes on the template align with the pair of Back Box attachment holes that were marked on the mounting surface. Carefully mark the outline of the Back Box Template onto the mounting surface.
9. Remove the Back Box Template. Cut the opening in the mounting surface for the Back Box to recess through. This opening requires a clean and accurate cut. Once completed, verify that the Back Box fits within this opening.
10. Select the screw and anchor that will be used to mount the Back Plate. (These are not provided with the fixture.) Check to make sure that the screw head will not project more than 1/8" (3.2mm) from the Back Plate surface when installed. Install the anchors into the mounting surface.

C. ELECTRICAL CONNECTION



WARNING: TO AVOID SHOCK HAZARD, DISCONNECT THE POWER AT THE ELECTRICAL PANEL.

Note: The SoftLook fixture requires a 3/8" flexible metallic conduit (FMC) for the building power. This should be pre-whipped within the wall or ceiling cavity where the fixture is to be installed.

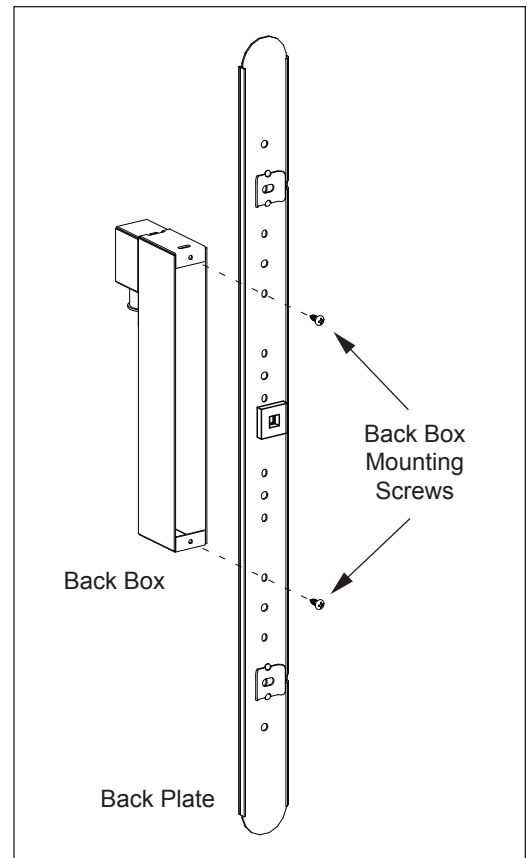


Figure 2

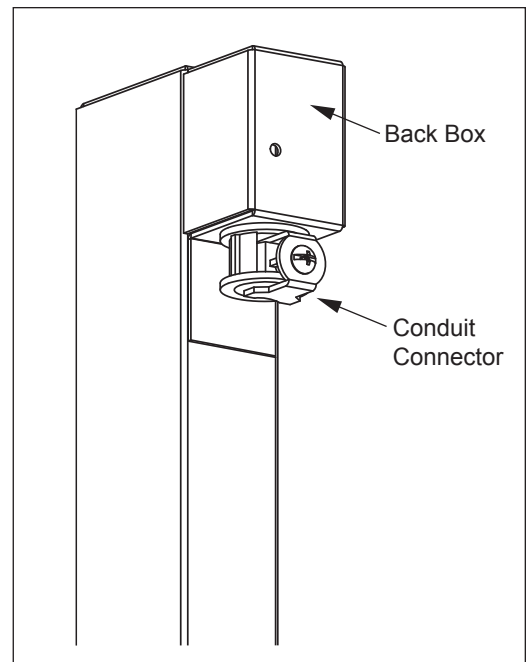


Figure 3

1. Pull the flexible metal conduit (FMC) with the building power through the opening cut in the mounting surface. Insert the building power wires through the conduit connector and into the Back Box. Secure the FMC to the conduit connector. (See Figure 3)
2. Connect the building power leads to the leads from the driver. Connect the building hot to the black wire from the driver and the building neutral to the white wire from the driver. Connect the building ground wire to the green wire attached to the Back Box.
3. Using the #8-1/2" Phillips flat head screws provided, attach the Back Box to the Back Plate as illustrated in Figure 2. Make sure that the Back Box is aligned with the attachment holes previously selected in Section B-Step 5. Be sure that the low voltage connector is inserted through the clearance hole in the Back Plate and all wires are tucked within the Back Box before finalizing the Back Box mounting.

Note: For Wet Location installations where the Back Plate will be mounted on rough or irregular surfaces, it is recommended that a bead of silicone sealant (GE RTV-162 or equivalent) is applied around the perimeter of the Back Plate to seal any gaps between the Back Plate and the mounting surface. Wipe off any excess sealant. If the Back Plate is removed for any reason, the mounting surface should be cleaned of any residual sealant and a new bead of sealant must be applied.

D. FINALIZING INSTALLATION

1. The SoftLook fixture is locked onto the Back Plate with set screws located on one side of the housing. It is up to the Installer to determine the preferred orientation of the fixture but the Back Plate has to be installed to match the preferred direction of the set screws. See Figure 4.
2. After determining the desired orientation of the fixture, begin mounting the Back Plate by leading the Back Box through the previously cut clearance hole. Once the Back Plate can rest flat against the mounting surface, align it with the previously installed wall anchors and screw the Back Plate into place. The gasket material on the back of the Back Plate should be slightly compressed against the surface.
3. Hold the SoftLook housing near the Back Plate and plug together the male and female connectors protruding through the Back Plate and exiting the back of the housing. Once connected, push the connector back through the square opening in the Back Plate.
4. Position the SoftLook housing onto the Back Plate so it hooks onto the cleats on the Back Plate. Be careful that the wires exiting the fixture housing aren't pinched. Check to make sure the set screw locations align with the slots in the Back Plate.
5. Use the supplied Allen Wrench tool to install the set screws and lock the housing to the Back Plate.
6. The fixture is ready for use.

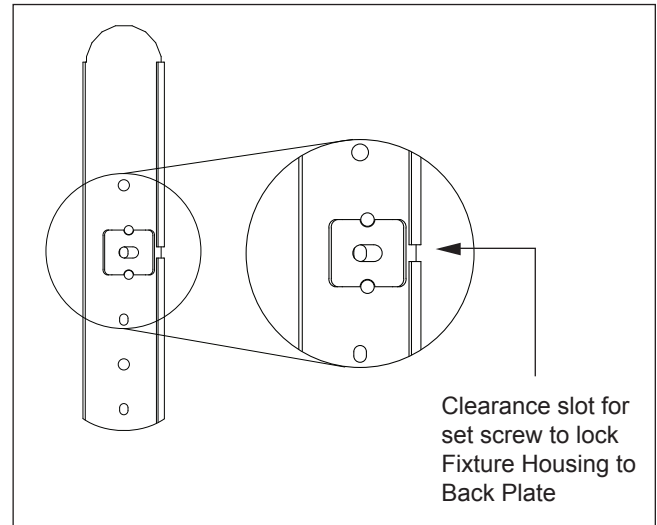


Figure 4

E. CLEANING INSTRUCTIONS

1. Never clean the lens with a dry cloth or with cleaners containing ammonia. All surfaces can be washed with a mild soap or detergent and lukewarm water solution. Use a clean soft cloth or sponge and as much solution as possible. Rinse well. Dry by blotting with a damp cloth or chamois.
2. **DO NOT USE:** Window cleaning fluids, scouring compounds, gritty cloths, leaded or ethyl gasolines or solvents such as alcohol, acetone, carbon tetrachloride, etc.

CUSTOMER SUPPORT

If you require additional information regarding this light fixture we invite you to call us at ALKCO. Our business hours are: Monday - Friday (except holidays), 8:00am to 4:30pm Central time. Phone: 847-451-0700, Fax: 847-451-7512

REPLACEMENT PARTS

Contact Alkco Lighting directly for information on replacement parts. When calling, be prepared to provide the model number and date of manufacture of the fixture. This information is indicated on labels located on the product.

.075.0170 07/11 SL1 Series