

DuoCare



Recessed Exam Patient Room Luminaire
T5/T5HO Fluorescent
DCE Series

Project	Type
Project Location	
Catalog #	

Description

DuoCare Exam provides examination illumination for the patient room. The two luminaire system is positioned parallel to the sides of the patient bed. Each luminaire has a single T5 or T5HO lamp positioned with an asymmetrical reflector to provide a crossing pattern of illumination that minimizes shadows. The lensed door presents a smooth surface that is easy to clean and limits dust within the luminaire itself.

Additional Features:

- The small cross-section provides greater flexibility of positioning the luminaires.
- DuoCare Exam is available in either a grid or flange version.
- The housing and door frame have an antimicrobial paint finish that inhibits microbe growth for the life of the product.



Specifications

Construction 20 gauge cold rolled steel housing painted after fabrication. The housing is gasketed where it meets the door frame. The flange is formed from 18 gauge cold rolled steel.

Door Frame The door is available in cold rolled steel or extruded aluminum. The one-piece, cold rolled steel version is fabricated from 20 gauge material and painted. The extruded aluminum door has mitered corners and can be selected either in a clear or painted finish. All door options have a full length stainless steel hinge and stainless steel screws to secure the door to the housing.

Reflectors DuoCare Exam utilizes a specular aluminum reflector assembly.

Finish The housing, painted door frames and flange are painted after fabrication with white polyester powder coat paint. The finish has an antimicrobial additive to inhibit the growth of microbes.

Lens A custom acrylic lens (nominal .065" thickness) with linear prisms provides asymmetrical control. The linear prisms are oriented toward the interior of the luminaire allowing a smooth room-side surface for easy wipe down.

Lamps One T5 or T5HO lamp is provided with each luminaire. 3500K is the standard color temperature. Alternative color temperatures can be specified.

Switching It is recommended that DuoCare Exam be switched at the wall where it can be controlled by the healthcare staff. An optional wall timer switch can be selected to provide automatic shut-off.

Listing UL and CUL Listed for Damp Locations. The luminaire is also IBEV labeled.

The Agion® antimicrobial has been listed with the U.S. Food and Drug Administration (FDA), certified by the

National Sanitation Foundation (NSF) and registered with the U.S. Environmental Protection Agency.

Electrical Electronic, high power factor ballast rated for 120-277 volts. Ballast is thermally protected and has a Class "A" sound rating. The ballast also has end-of-life protection.

Installation DuoCare can be specified for either grid or flange applications.

A pair of luminaires are required for each patient bed - a master and a satellite. The master luminaire contains the ballast is shipped with an interconnect whip to connect the satellite luminaire. The interconnect whip is pre-wired and has plugs to further simplify the installation.

The individual (stand alone) model is identified to a master model but without the interconnect whip.



Ordering Information

Sample Catalog No: DCE-T5HO - M12 - G - 120 - FRI - SBF

(Note: An additional Satellite model is required with each Master model.)

NOM. LENGTH	Model Number	Master/Satellite	Mounting	Voltage ²	Door Frame	Options
4'	DCE-T5 (1) F28 T5 (Med. Bipin) DCE-T5HO (1) F54 T5HO (Med. Bipin)	M61 Master with 6' whip M91 Master with 9' whip M121 Master with 12' whip M151 Master with 15' whip SI Satellite SA Individual (stand alone) fixture	G Grid mounting F Recessed with flange	120 277	FRI Painted steel frame with hinge and stainless steel screws FR2 Painted extruded aluminum frame with hinge and stainless steel screws FR3 Clear anodized extruded aluminum frame with hinge and stainless steel screws	EMI ^{3,4} Emergency ballast TIMER Timer wall switch for exam light (1-15 minutes, 120 volts only) SBF Slow blow fuse EQC Earthquake clips

¹ Each patient bed application requires two (2) luminaires - a master and a satellite.
² 347v not available
³ The EMI is only available on a master luminaire or an individual (stand alone) luminaire.
⁴ The emergency ballast operates the lamp in the master or individual fixture.

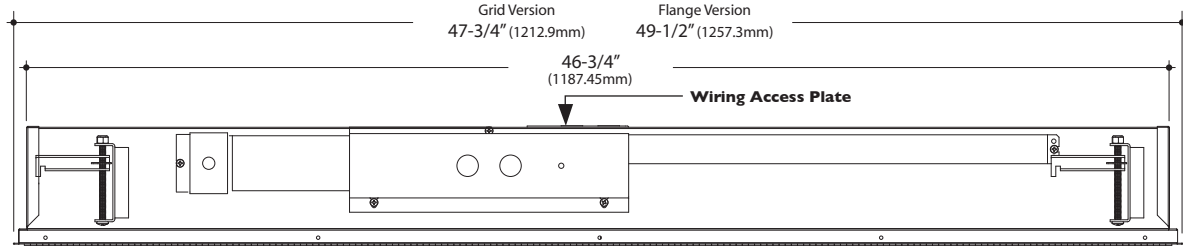
DuoCare



Project	Type
---------	------

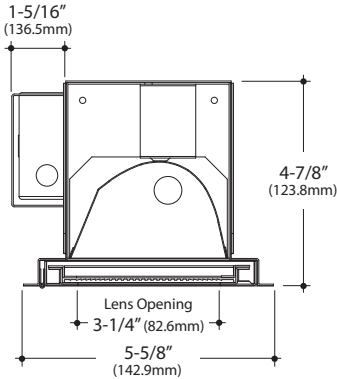
Recessed Exam Patient Room Luminaire
 T5/T5HO Fluorescent
 DCE Series

Dimensional Data

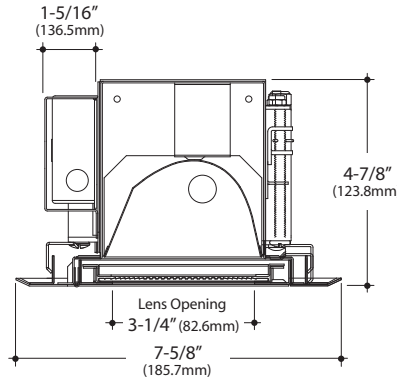


Sideview (Grid Version)

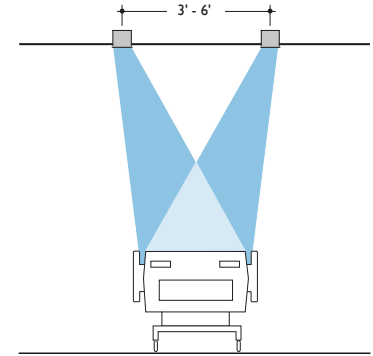
Recommended Ceiling Opening for 6-1/4" x 48-5/8"



Cross Section (Grid Version)



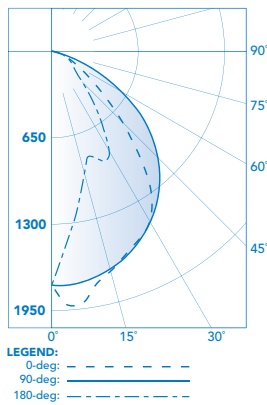
Cross Section (Flange Version)



Photometric Data

DCE

(1) 54W T5HO Fluorescent - miniature bi-pin base
 4450 lumens per lamp
 Report No.: ITL62364
 Efficiency: 72.2%



CO-EFFICIENTS OF UTILIZATION | Effective floor cavity reflectance=20%

rc rw	80				70				50				30				10				0	
	70	50	30	10	70	50	30	10	50	30	10	50	30	10	50	30	10	50	30	10	0	
RCR	0	86	86	86	86	84	84	84	84	80	80	80	77	77	77	74	74	74	72	72	72	72
	1	80	77	74	72	78	75	73	71	72	70	69	70	68	67	67	66	65	63	63	63	63
	2	74	69	64	61	72	67	63	60	65	62	59	63	60	57	60	58	56	55	55	55	55
	3	68	61	56	52	66	60	56	52	58	54	51	56	53	50	55	52	49	48	48	48	48
	4	63	55	50	45	61	54	49	45	53	48	44	51	47	44	49	46	43	42	42	42	42
	5	58	50	44	40	57	49	44	40	48	43	39	46	42	39	45	41	38	37	37	37	37
	6	54	45	40	35	53	45	39	35	44	39	35	42	38	35	41	37	34	33	33	33	33
	7	51	42	36	32	49	41	36	32	40	35	31	39	35	31	38	34	31	30	30	30	30
	8	47	38	33	29	46	38	32	29	37	32	28	36	32	28	35	31	28	27	27	27	27
	9	44	35	30	26	43	35	30	26	34	29	26	33	29	26	33	29	26	24	24	24	24
	10	42	33	27	24	41	32	27	24	32	27	24	31	27	24	30	26	24	22	22	22	22

CANDLEPOWER DISTRIBUTION

Vertical Angle	Horizontal Angle				
	0°	45°	90°	135°	180°
0°	1758	1758	1758	1758	1758
5°	1923	1908	1759	1536	1422
15°	1714	1762	1693	1136	954
25°	1559	1562	1571	781	912
35°	1307	1317	1382	787	653
45°	758	1032	1127	575	330
55°	352	586	807	277	205
65°	173	237	400	147	144
75°	79	87	115	82	82
85°	8	11	10	22	26
90°	0	0	0	0	0

ZONAL LUMEN SUMMARY

Zone	Lumens	% Lamp	% Fixt.
0-30	1178	26.5	36.7
0-40	1857	41.7	57.8
0-60	2848	64.0	88.6
0-90	3213	72.2	100.0
90-180	0	0.0	0.0
0-180	3213	72.2	100.0

► Go to www.alkco.com for additional Photometric Data

Some luminaires use fluorescent or high intensity discharge (HID) lamps that contain small amounts of mercury. Such lamps are labeled "Contains Mercury" and/or with the symbol "Hg". Lamps that contain mercury must be disposed of in accordance with local requirements. Information regarding lamp recycling and disposal can be found at www.lamprecycle.org